

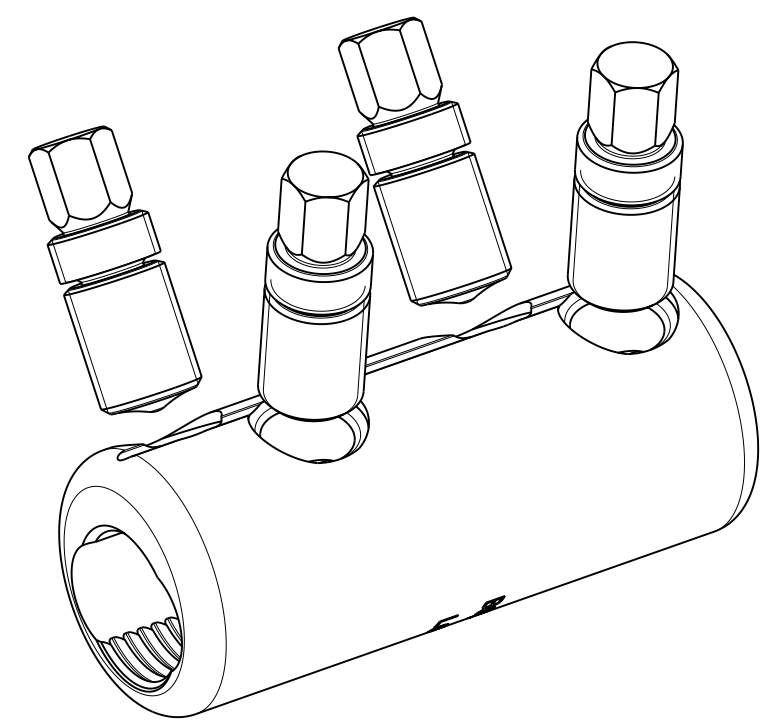
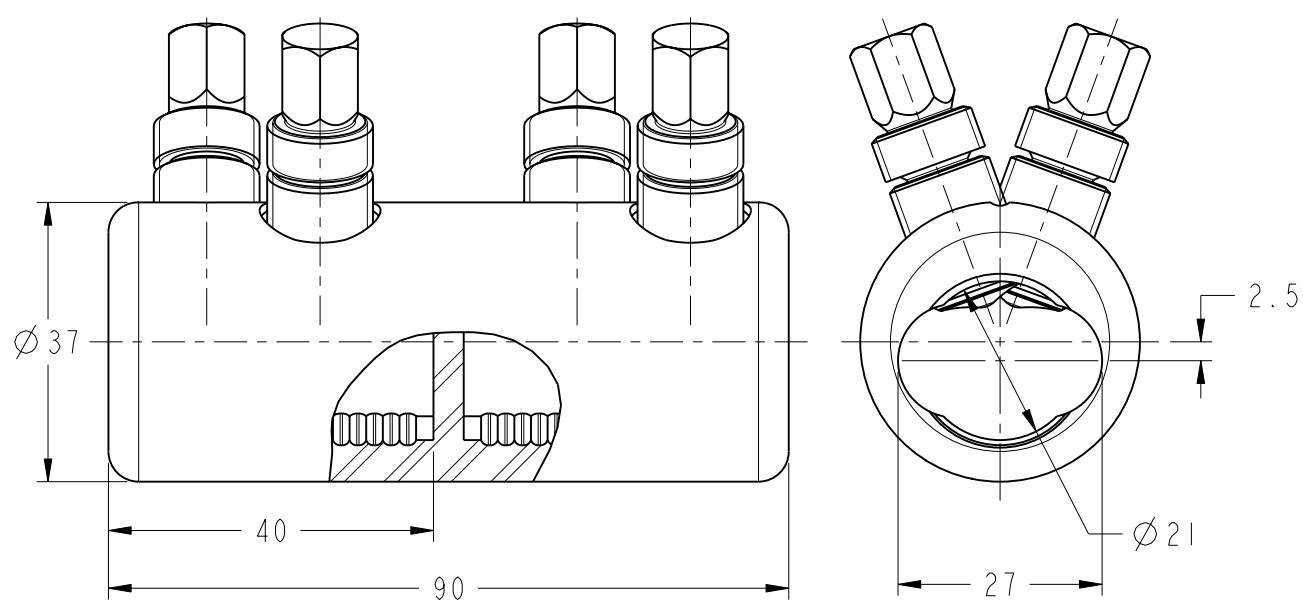
THIS DRAWING IS UNPUBLISHED.
 DIFFUSION RESTREINTE
 © COPYRIGHT 20

RELEASED FOR PUBLICATION
 LIBRE A LA DIFFUSION
 20
 ALL RIGHTS RESERVED.
 TOUS DROITS RESERVES

LOC		DIST		REVISIONS					
FH		2		P	LTR REV	DESCRIPTION MODIFICATIONS	DATE	DWN DESS.	APVD APP.
				A		CREATION	17AUG2011	BM	NA
				B		UPDATE BOLT WITH 2 SHEAR STAGES	01FEB2012	BM	NA

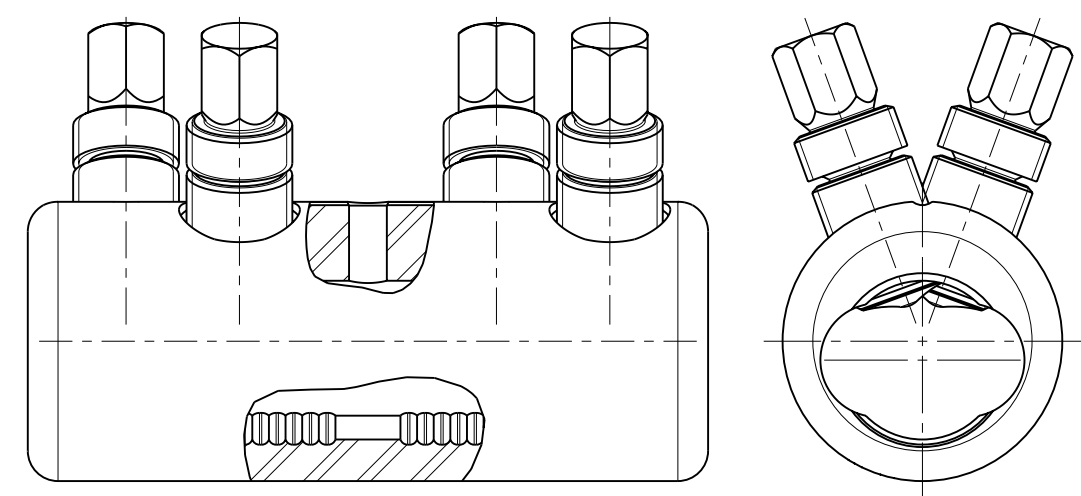
MIT TRENNSTEG / BLOCKED VERSION

BSLB-95/240	2107440-1	BLOCKED	TINNED
DESCRIPTION	PART NUMBER	TYPE	FINISH

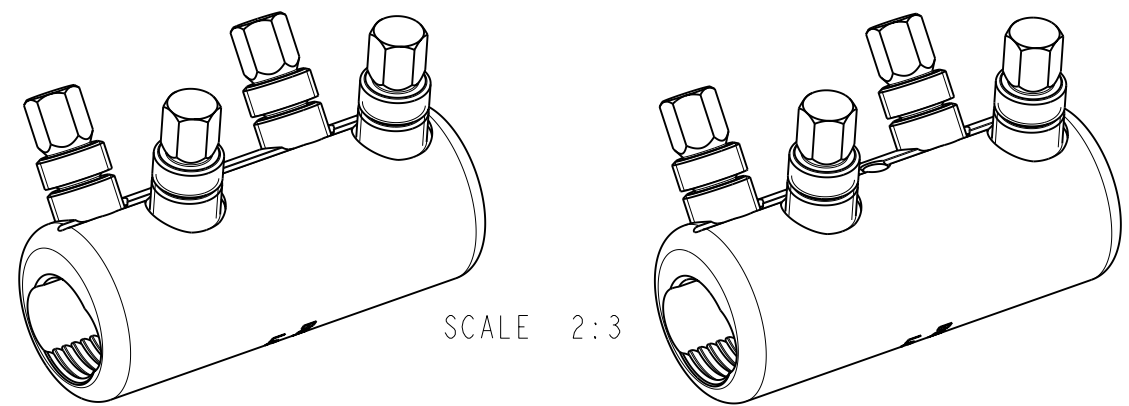


OHNE TRENNSTEG / UNBLOCKED VERSION

BSLU-95/240	2107440-2	UNBLOCKED	TINNED
DESCRIPTION	PART NUMBER	TYPE	FINISH



	AL				CU	
	ROUND STRANDED /Circ. câblé /RM	ROUND SOLID /Circ. massif /RE	SECTOR STRANDED /Sectoral câblé /SM	SECTOR SOLID /Sectoral massif /SE	ROUND STRANDED /Circ. câblé /RM	SECTOR STRANDED /Sectoral câblé /SM
CONDUCTOR CROSS-SECTION /Section conducteur /Querschnittsbereich mm ²	95-240	95-240	95-240	95-240	70-240	95-240
CONDUCTOR DIAMETER /Diamètre conducteur /Leiterdurchmesser mm	Ø11-Ø20	Ø10.5-Ø18	-	-	Ø9.3-Ø20	-



THIS DRAWING IS A CONTROLLED DOCUMENT.
 CE PLAN EST UN DOCUMENT CONTROLE PAR TYCO ELECTRONICS CORPORATION
 IL EST SUSCEPTIBLE D'ETRE REVISE. POUR OBTENIR LA DERNIERE REVISION,
 CONTACTER LE SERVICE TECHNIQUE DE TYCO ELECTRONICS SIMEL SAS,
 21220 GEVREY-CHAMBERTIN, FRANCE.

DIMENSIONS: mm

TOLERANCES UNLESS OTHERWISE SPECIFIED:
 TOLERANCES NON SPECIFIEES (SUIV NB DE DECIMALES):
 0 PLC/DEC: ±0
 1 PLC/DEC: ±0
 2 PLC/DEC: ±0
 3 PLC/DEC: ±0
 4 PLC/DEC: ±0
 ANGLES ±

MATERIAL MATIERE AL ALLOY FINISH FINITION TINNED

DWN/DESSINE 17AUG2011
 B. MILLOT
 CHK/VERIFIE M. DOLLING
 APVD/APPROUVE N. ALMEIDA
 PRODUCT SPEC SPEC. PRODUIT
 APPLICATION SPEC SPEC. APPLICATION

WEIGHT MASSE APPROX. 191g

CUSTOMER DRAWING /PLAN CLIENT

TOLERANCES UNLESS OTHERWISE SPECIFIED:
 TOLERANCES NON SPECIFIEES: -

STE TE Connectivity

NAME TITRE BSLB-95/240
 BSLU-95/240

SIZE FORMAT A3 CAGE CODE - DRAWING NO No PLAN C-2107440 RESTRICTED TO RESERVE A -

UNIQUEMENT POUR REFERENCE SCALE ECHELLE SHEET FEUILLE OF DE REV B